

You are here: [Home](#) > [Projects](#) > [SSL Server Test](#) > connect.accu-dose.com

SSL Report: connect.accu-dose.com (64.19.194.49)

Assessed on: Mon, 28 Mar 2022 12:06:21 UTC | [HIDDEN](#) | [Clear cache](#)

[Scan Another »](#)

Summary

Overall Rating

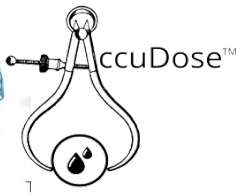


Visit our [documentation page](#) for more information, configuration guides, and books. Known issues are documented [here](#).

This server supports TLS 1.3.

HTTP Strict Transport Security (HSTS) with long duration deployed on this server. [MORE INFO »](#)

- ❖ **99.9% server uptime with full redundancy across all services.**
- ❖ **Daily onsite and offsite backups of all data.**
- ❖ **Full encryption of all communication using industry standard SSL protocols.**
- ❖ **Scaling systems in place to preserve reliability and latency.**
- ❖ **Updates applied regularly to maintain data and system security.**



AccuDose Server Data Sheet



My Account

My Account

Welcome to your dashboard. Here you can manage all your controller information and programming.

Sites
2
[View List](#)

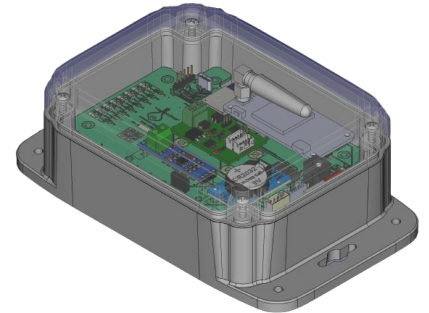
Controllers
14
[View List](#)

Logs

- [Datapoints](#)
- [Events](#)

Users
4
[View List](#)

Notifications
Enzo Lebeau
[Re-assign](#)

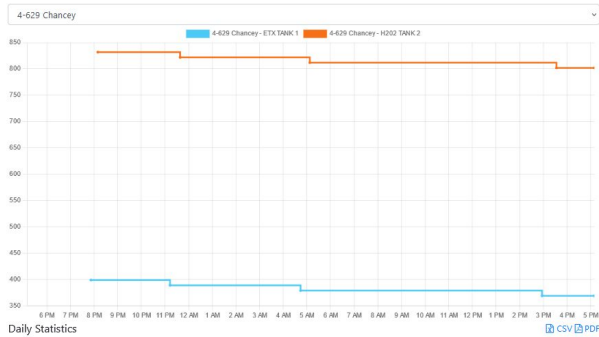


My Account Data Logging Reports

Data Logging Report

Analogs

Choose a device from the dropdown to update the graph. Click on any of the sensors in the legend to toggle their visibility. If the times seem off, check the time zone you have set in your [profile settings](#).



My Account Manage Controllers Remote View: 4-629 Chancey



4-629 Chancey

[Setup](#)

Local Unit Time
04/03/2022
1:11 PM
EDT

Pumps

Well Pump State	State	Starts	Runtime
Well Pump State	105	184:35	

Chem Pump 1 State	State	Starts	Runtime
Chem Pump 1 State	105	184:35	

Chem Pump 2 State	State	Starts	Runtime
Chem Pump 2 State	105	184:35	

Floats/Alarms

Power Fail

Relays

Relay 1

ETX TANK 1
26.94 in (36.9%) 350 gal

H202 TANK 2
58.55 in (80.2%) 761 gal



My Account Manage Controllers Edit Controller

Edit Controller

Controller Information

Mac Address: 95F428

Serial Number: 24880

Controller Name: 4-629 Chancey

Site: Pecco Co

Controller address:

Notifications

Notification	Email	SMS
Disconnection	<input checked="" type="checkbox"/>	<input checked="" type="checkbox"/>
Analog Low	<input checked="" type="checkbox"/>	<input checked="" type="checkbox"/>
Analog High	<input type="checkbox"/>	<input type="checkbox"/>
Fuel State Change	<input checked="" type="checkbox"/>	<input checked="" type="checkbox"/>
Alarm State Change	<input type="checkbox"/>	<input type="checkbox"/>
Pump State Change	<input checked="" type="checkbox"/>	<input checked="" type="checkbox"/>
Pump Start Alarm	<input type="checkbox"/>	<input type="checkbox"/>
Pump Runtime Alarm	<input type="checkbox"/>	<input type="checkbox"/>
Relay State Change	<input type="checkbox"/>	<input type="checkbox"/>
Power Fail	<input type="checkbox"/>	<input type="checkbox"/>

[Save](#)

- ❖ Full site and controller accessibility at your fingertips.
- ❖ Easy to use and intuitive interface.
- ❖ Data logging and reporting.
- ❖ Real time monitoring and reporting.
- ❖ Updates applied regularly to maintain data and system security
- ❖ Alarm notifications VIA text and or email.

East Coast Office: 2160 Broadway View Avenue Brandon, Florida 33510
 West Coast Office: 4658 West South Jordan Parkway South Jordan, Utah 84095
Accu-dose.com Office (866) 310-1055