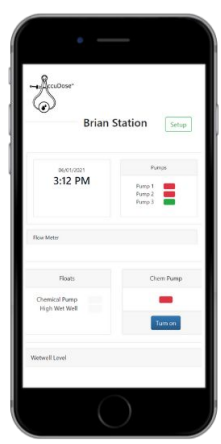
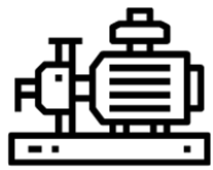


AccuWatch-RMC 1000 Application Data Sheet

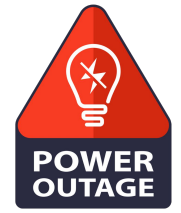
AccuWatch unit with 24/7 real-time monitoring of pumps and high level alarms. The AccuWatch pump and lift station monitoring system is a low cost real time IIoT and cloud based server with remote capabilities. AccuWatch also offers free cellular internet access almost anywhere in the world.



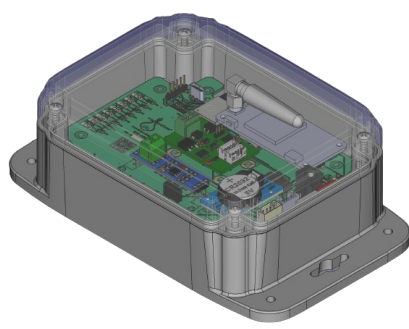
Float Switch



Pump Status



Power Fail



Features

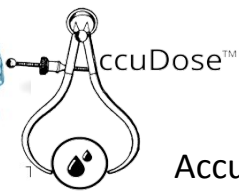
- ❖ Compact NEMA 4X polycarbonate enclosure.
- ❖ Industrial grade electronic componentry.
- ❖ Cellular internet access coverage.
- ❖ WIFI internet access.
- ❖ Eight digital inputs including power fail.
- ❖ Free APP.
- ❖ Cloud based server with emails, texts, and reporting.
- ❖ Prevent or reduce waste water overflows.
- ❖ Real-time station status updates.

Specifications

Power	
AC Input	85...265 Vac
DC Input	9-24 Vdc
Consumption	5 Watts
Inputs/Outputs	
RMC-1000	
Digital Inputs	Seven
Power Fail	One
WIFI	
Frequency	802.11 b/g/n
Speed	150 Mbps

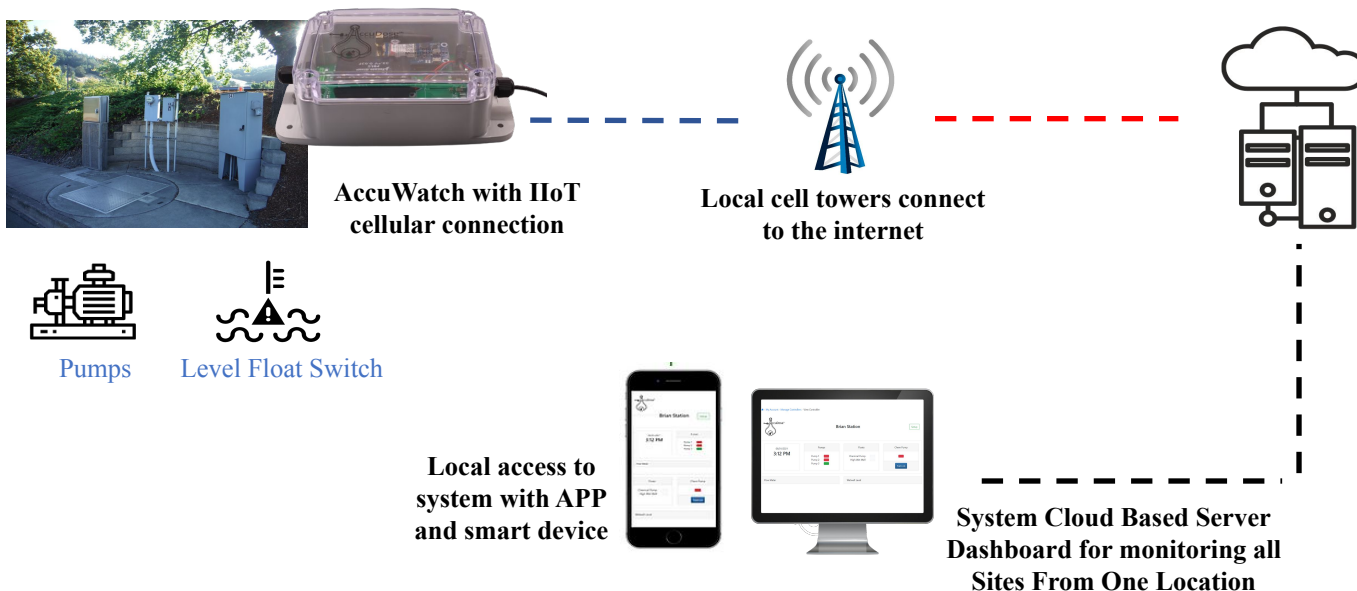
East Coast Office: 2160 Broadway View Avenue Brandon, Florida 33510
 West Coast Office: 4658 West South Jordan Parkway South Jordan, Utah 84095

Accu-dose.com Office (866) 310-1055



AccuWatch-RMC 1000 Application Data Sheet

AccuWatch Municipal Application



AccuWatch Residential Application

