

AccuDose Supercapacitor

AccuDose Supercapacitor

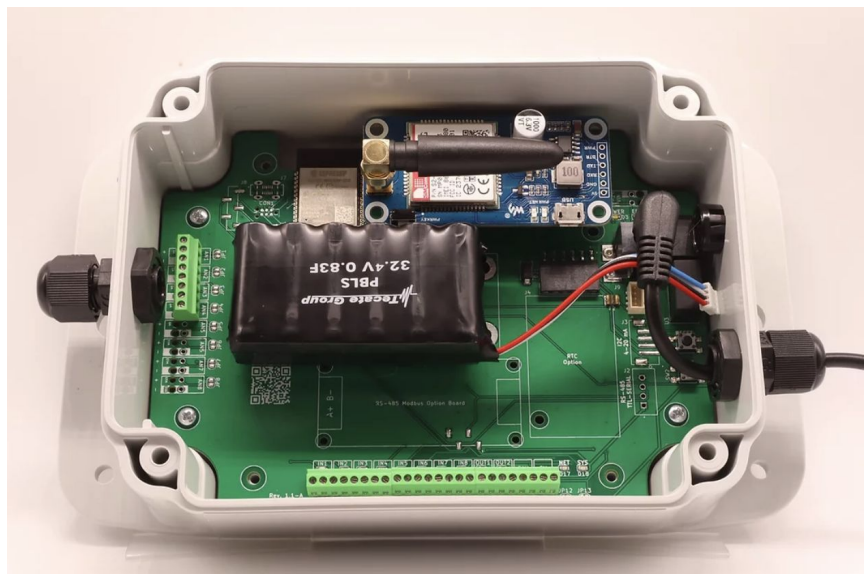
FEATURES:

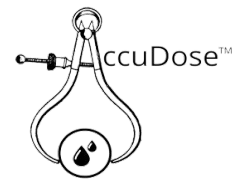
- Unique slim profile design
- 10KOhm Thermistor, Panasonic PN ERT-J1VG103FA or equivalent
- Passive linear voltage balanced cells
- Molex 87439-0400 connector
- Fast charge time
- Maintenance-free backup
- Green solution vs. batteries
- UL-recognized cells
- RoHS compliant



APPLICATIONS:

- Automatic meter readers
- Automotive subsystems
- Backup power for safe shutdown requirements
- Battery-powered tools and handheld electronic devices
- Data deduplication
- Networking last gasp
- Medical devices
- Motor peak-power shaving
- RAID storage
- Servers
- SSD
- Solar-charged devices
- Wireless transmission





AccuDose Supercapacitor

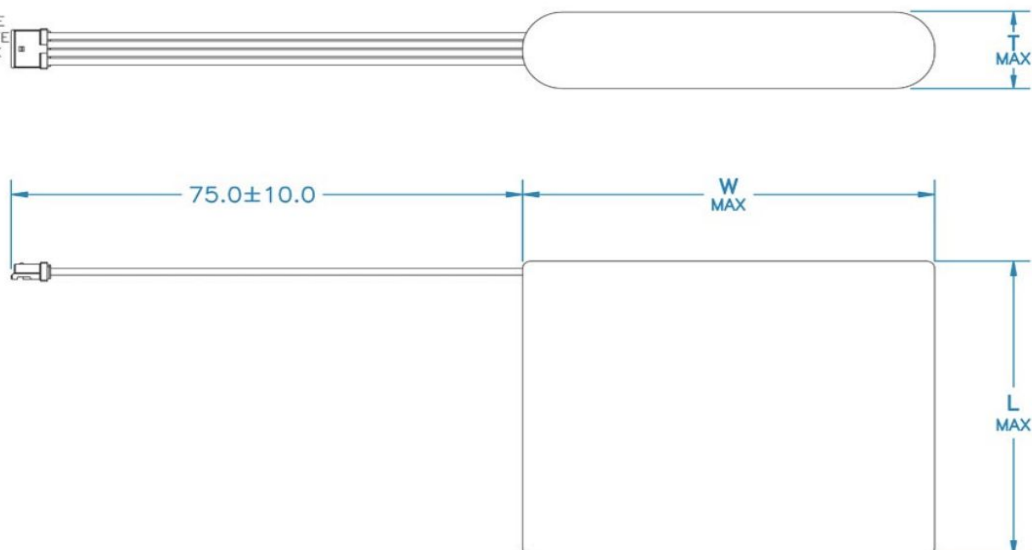
GENERAL SPECIFICATIONS

Item	Performance
Operating temperature	-40°C to +65°C
Storage temperature	-40°C to +70°C
Capacitance	0.83F
Rated voltage	32.4 VDC
Temperature characteristics	Capacitance change: Within $\pm 5\%$ of initial measured value at +25°C(-40°C to +65°C) Internal resistance: Within $\pm 50\%$ of initial measured value at +25°C(at -40°C)
Endurance (At rated voltage & max. operating temp)	After 1000 hours: Capacitance change: Within $\pm 30\%$ of initial rated value Internal resistance: Within 2 times of initial specified value
Projected Load life (At rated voltage & 25°C)	After 10 years: Capacitance change: Within $\pm 30\%$ of initial rated value Internal resistance: Within 2 times of initial specified value
Projected cycle life (From rated voltage to 1/2 rated voltage at 25°C)	After 500,000 cycles: Capacitance change: Within $\pm 30\%$ of initial rated value Internal resistance: Within 2 times of initial specified value
Shelf life	After 2 years at 25°C without load, the capacitor shall meet the specified endurance limits.

DIMENSIONS

UNITS = mm

PIN4: TEMP BLUE
PIN3: TEMP WHITE
PIN2: -IN BLACK
PIN1: +IN RED



STANDARD PRODUCTS

Part Number	Nom. Cap. (F)	GMV (F)*	ESR DC (m Ω)	ESR AC (m Ω)	Leakage Current (mA) (72 hrs @ 25C)	Dimensions (mm)			Rated Current (A)	Weight/Unit (grams)
						L	W	T		
PBLS-0.83/32.4	0.83	0.75	1080	780	0.33	36	64	22	7.11	45.13

*NOTE: GMV = Guaranteed Minimum Value.