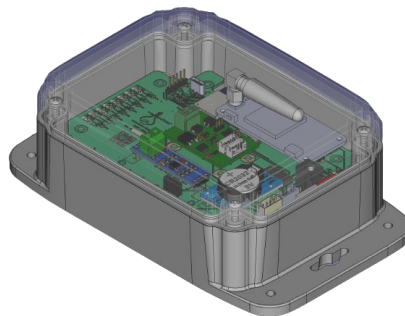
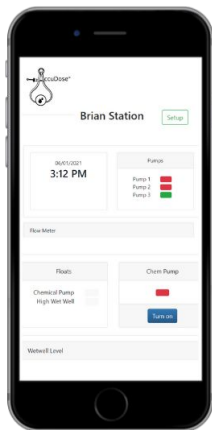


AccuWatch-RMC 2000 Application Data Sheet

AccuWatch unit with 24/7 real-time monitoring of pumps and high level alarms. AccuWatch Pro provides 4 to 20 ma sensor monitoring. Includes cellular internet connection with no monthly cellular ISP fees.



The AccuWatch pump and lift station monitoring system is a low cost real time IIoT and cloud based server with remote capabilities. The AccuWatch RMC-2000 offers the same functionality as the standard AccuWatch RMC-1000 but offers the ability to monitor four analog input sensors. AccuWatch also offers free cellular internet access almost anywhere in the world.

Pump Station Monitoring

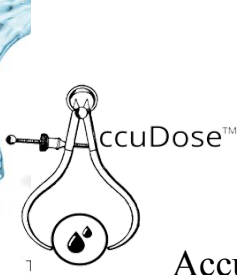
- Prevent or reduce wastewater overflows.
- Real-time station status updates.
- Real-time sensor and instrumentation values.
- Works in almost all remote locations.
- Prevent or reduce wastewater overflows.
- Management cloud server dashboard with reporting.
- Remote cellular internet access with no fees.
- Four analog inputs for any 4 to 20 ma sensor.

Technical Specifications

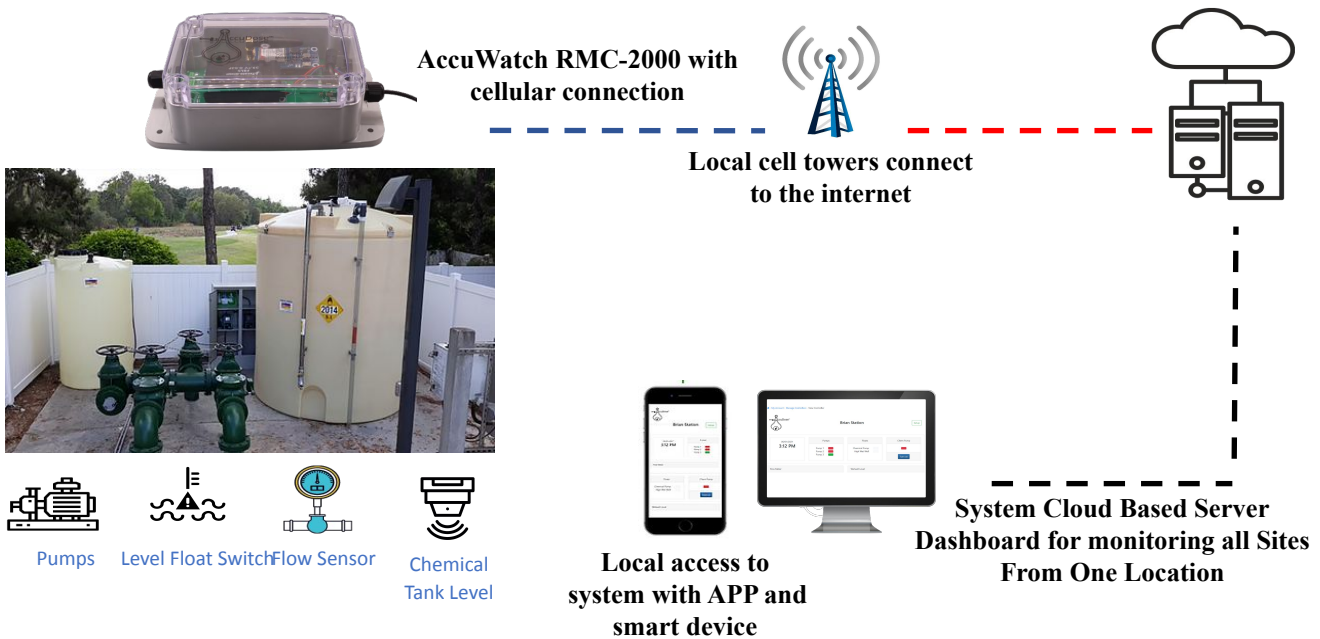
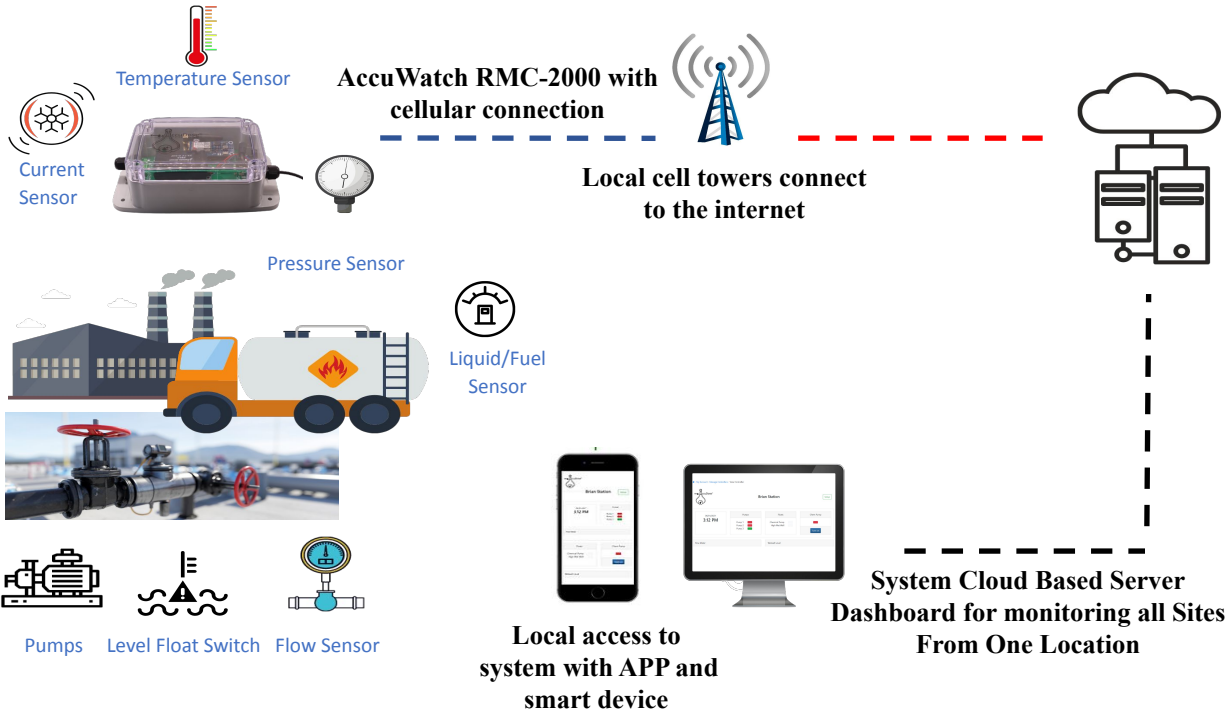
- Four 4 to 20 ma Inputs.
- Eight digital inputs including power fail.
- Two relay control digital outputs.
- Optional MODBUS RS485.
- Optional 4 to 20 ma Output.
- Optional power fail Super Cap.
- 24 Vdc 600ma power supply.

East Coast Office: 2160 Broadway View Avenue Brandon, Florida 33510
West Coast Office: 4658 West South Jordan Parkway South Jordan, Utah 84095

Accu-dose.com Office (866) 310-1055



AccuWatch-RMC 2000 Application Data Sheet



East Coast Office: 2160 Broadway View Avenue Brandon, Florida 33510
 West Coast Office: 4658 West South Jordan Parkway South Jordan, Utah 84095
Accu-dose.com Office (866) 310-1055